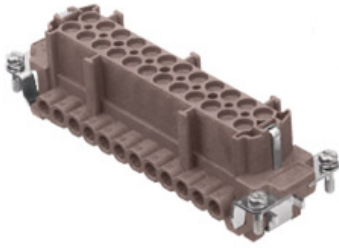


Part number

# CNEF 24 RY



## Brief description:

female insert, 24 poles +PE, screw terminal connections, 16A, 500V, 6kV, 3, silver plated, size "104.27" 180°C version, CLASS insert series

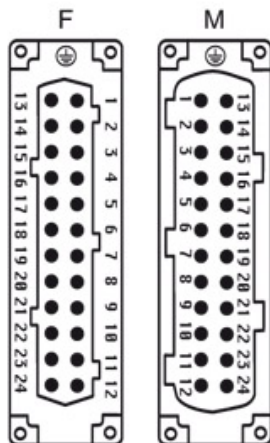
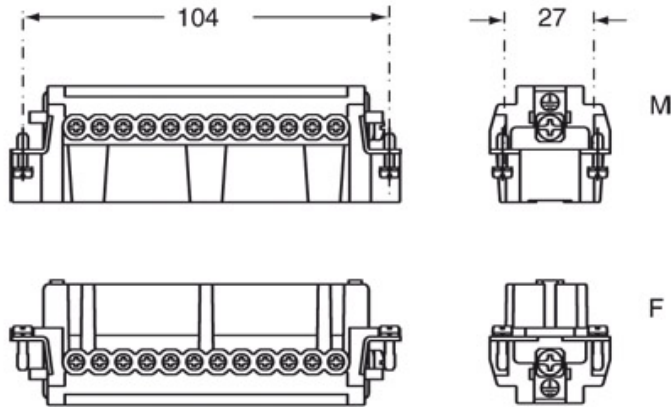
Product description		Approvals / Standards	
Model	female insert	Reference standard	EN 61984 (2001-11)
Version	screw terminal connections	Quality mark	EAC
Series	CNE RY	Conformity	CQC, CE
Product type	with female contacts	General ordering information	
Variant	with plate	EAN13 code	8015747109031
Style	for applications up to 180° C	Tariff number	85369095
Family	CLASS inserts	Country of origin	Made in EU (IT)
Size	size "104.27" 180°C version	ETIM classification	EC000438
N. of poles	24 poles	Packaging Information	
Technical data		Packaging length	210,00 mm
Current	16 A (A.C. and D.C.)	Packaging height	130,00 mm
Voltage	500 V	Packaging width	240,00 mm
Rated impulse withstand voltage	6kV	Packaging weight	4,05 kg
Pollution degree	3	Packaging volume	6,55 dm <sup>3</sup>
Wire cross-section	0,50 mm <sup>2</sup> - 4,00 mm <sup>2</sup>	Packaging description	Carton box
AWG size	20 - 12	Packaging quantity	30 Pcs
Operating temperature range (min, max)	-40°C ... +180°C	Packaging EAN code	8015747110037
Contact type	silver plated	Sub-packaging weight	0,68 kg
Mating cycles	≥ 500	Sub-packaging description	Carton
IP degree of protection	IP20 without enclosure, IP65 with enclosure	Sub-packaging quantity	5 Pcs
PE wire cross-section	0,14 - 4 mm <sup>2</sup> ; AWG 20 - 12	Sub-packaging EAN barcode	8015747110044
Further technical details			
Characteristics according to EN 61984	16A 500V 6kV 3; 16A 400/690V 6kV 2		
Insulation resistance	≥ 10 GΩ		
Rated voltage according to UL/CSA	600V		
UL 94 flammability rating	V-0		
Weight	135,00 g		

Part number

# CNEF 24 RY



## Catalogue drawings



## Notes

CNEF/M 24 RY inserts:

- characteristics according to EN 61984:  
16A 500V 6kV 3  
16A 400/690V 6kV 2
- rated voltage according to UL/CSA: 600V
- insulation resistance: > 10 GOhm
- ambient temperature limit: -40 °C ... +180 °C
- are made of self-extinguishing thermoplastic resin UL 94 V0
- mechanical life: > 500 cycles
- contact resistance: < 1 mOhm
- for maximum current load
- enclosures: size 104.27:

for 180 °C

- CNE...RY: for non-prepared conductors
- inserts with plate for section conductors:  
0.5 - 4 mm<sup>2</sup> - AWG 20 - 12
- conductors stripping length: 7 mm
- terminal screw torque: 0.5 Nm

